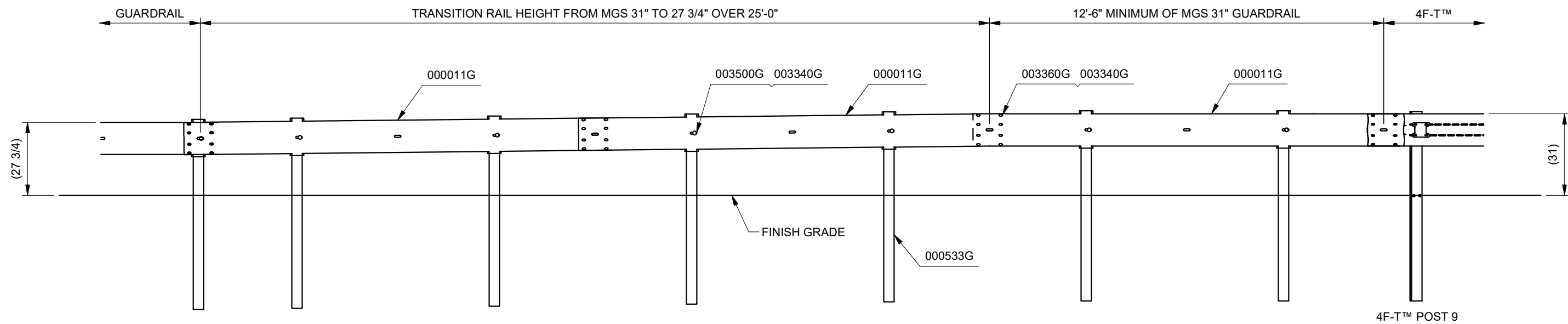
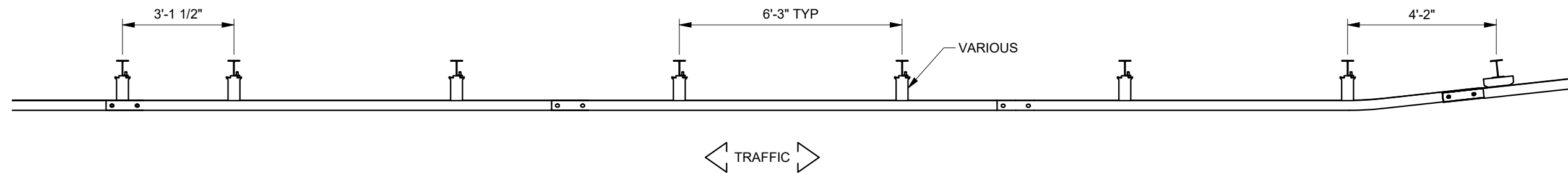


COMPONENTS LIST		
PART NUMBER	DESCRIPTION	QTY.
000011G	12/12'6/3'1.5/S	3
000533G	6'-0" POST / W 6X8.5#	7
003340G	NUT, HX, 5/8, G, RAIL	31
003360G	5/8"X1.25" GR BOLT	24
003500G	BOLT, RAIL, 5/8-11X10	7
VARIOUS	8" PLYMR BLK	7



NOTES:

- 4F-T™ TRANSITION DEVELOPED AND IN COMPLIANCE WITH FHWA GUIDANCE (FAQ#13).
- LAP ALL SPLICES SHOWN WITHIN THIS DRAWING IN THE DIRECTION OF THE ADJACENT TRAFFIC, UNLESS INDICATED OTHERWISE BY APPROPRIATE SPECIFYING AGENCY.
- 12'-6" W-BEAM GUARDRAIL PANELS DEPICTED, 25'-0" OR OTHER LENGTH PANELS ARE ACCEPTABLE.

DRAWN:	DATE:	UNLESS OTHERWISE SPECIFIED, DIMENSIONS ARE IN MILLIMETERS [INCH] ACCORDING TO ASME Y14.5-2018 AND QMS-SE-003				
CHECKED:	DATE:	DO NOT SCALE DRAWING				
REVISION DESCRIPTION		ECO	DATE	REV	BY	CHK
INITIAL RELEASE						

4F-T™

**4F-T™ TRANSITION TO
27 3/4" W-BEAM GUARDRAIL**

DRAWING: **SS4381**

REV: -

SHEET: 1 of 1

