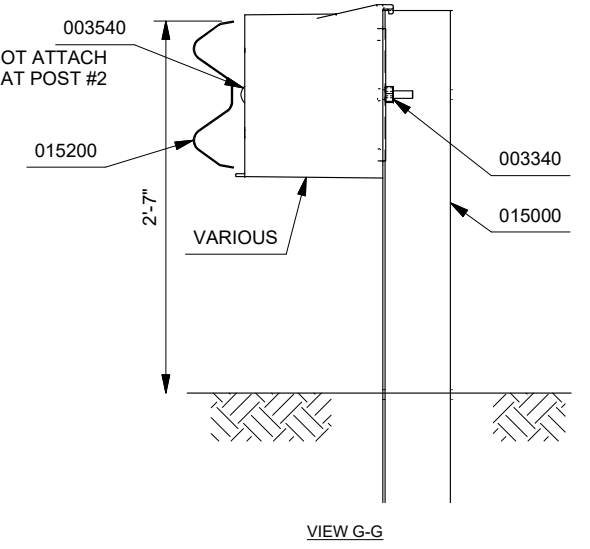
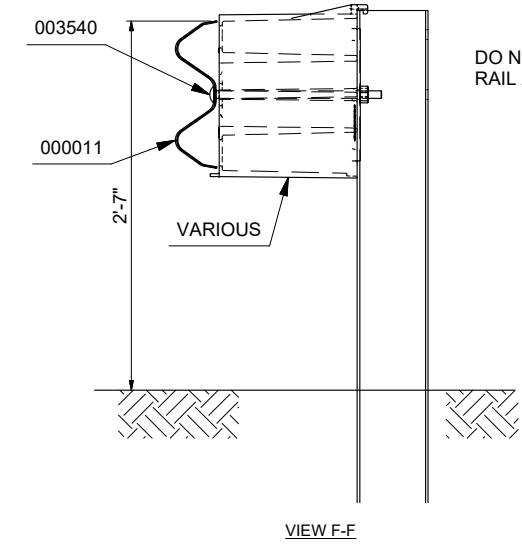
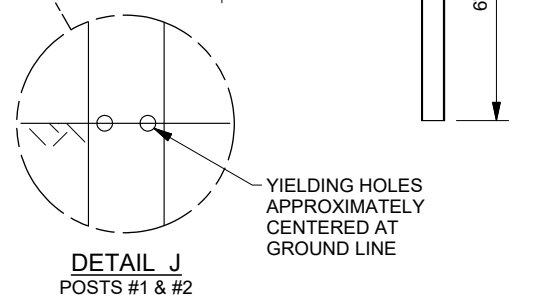
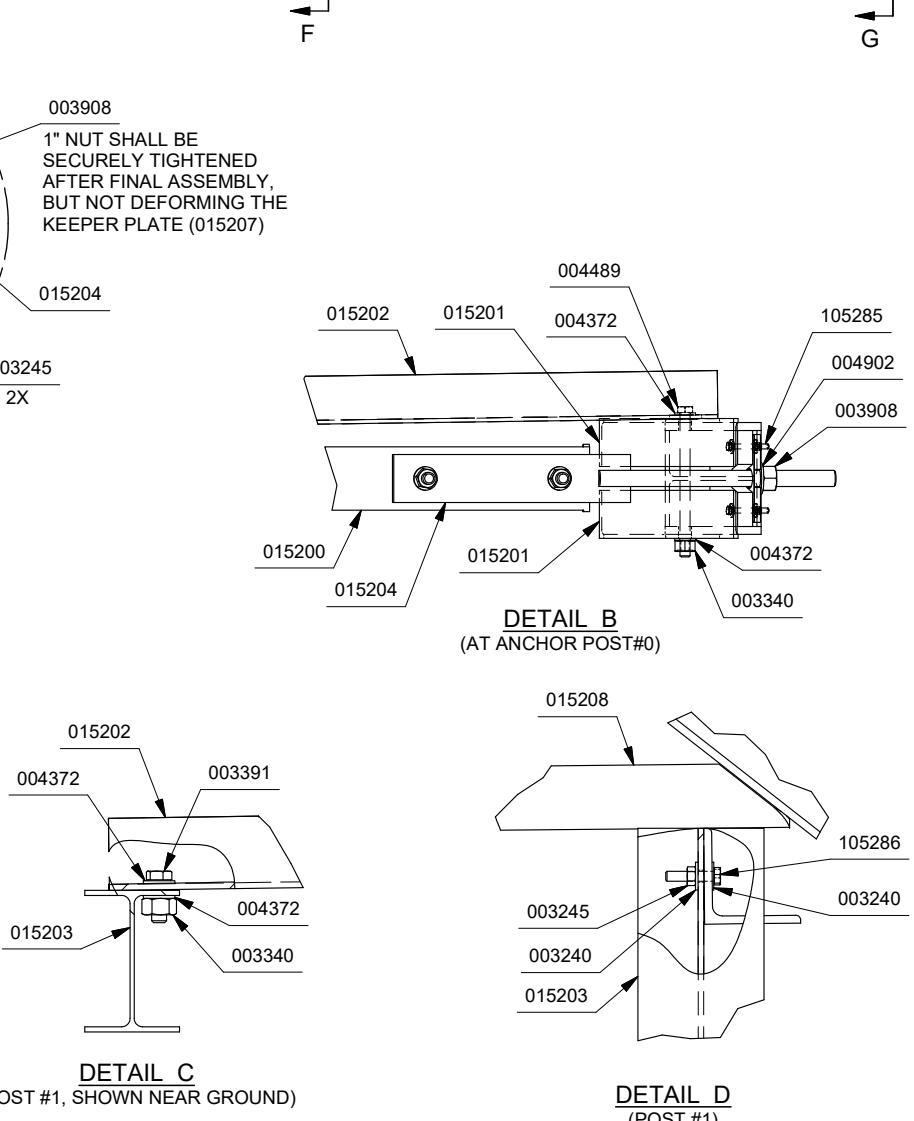
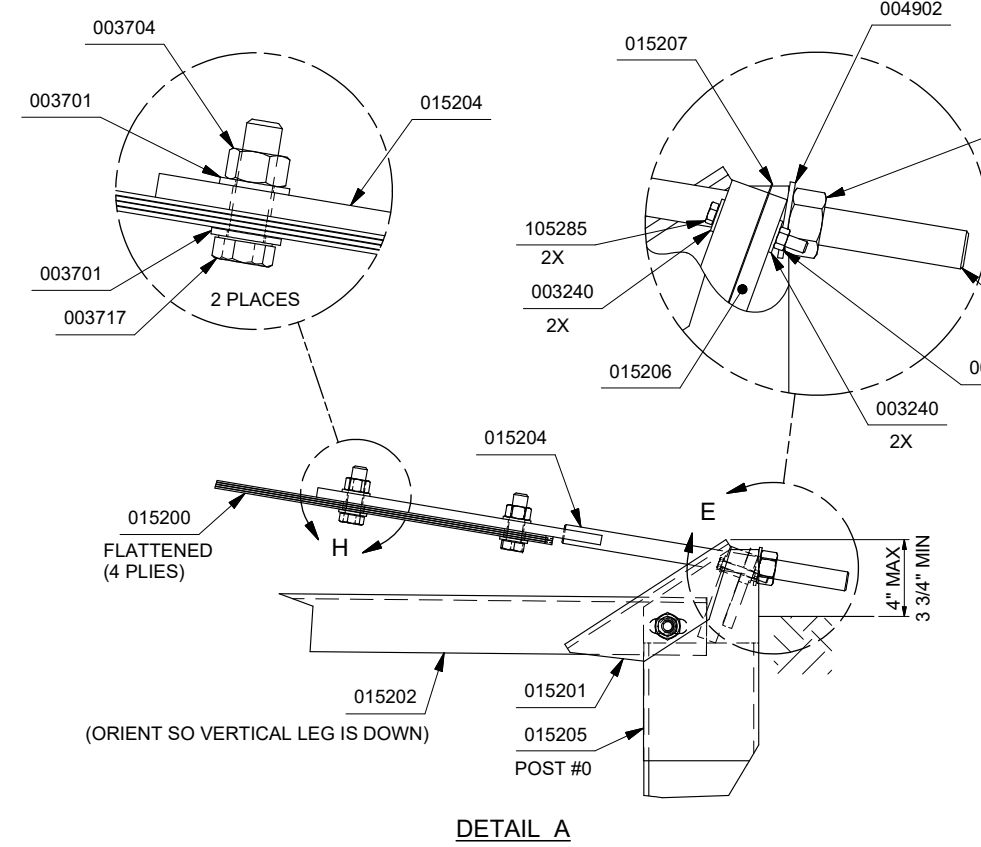
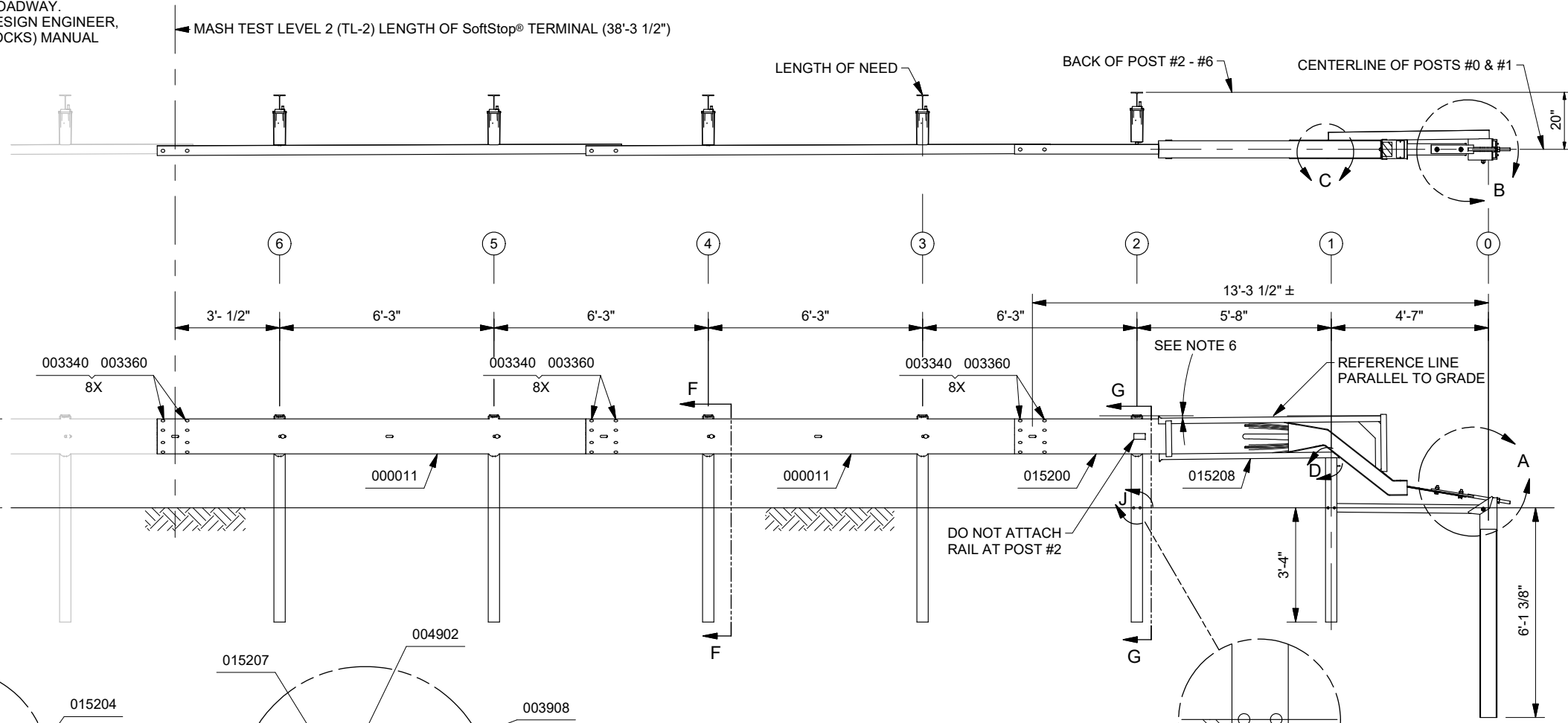


NOTE:  
 INSTALL SoftStop® PARALLEL TO ROADWAY.  
 WHEN OFFSET IS REQUIRED BY DESIGN ENGINEER,  
 SEE SoftStop® (12" COMPOSITE BLOCKS) MANUAL  
 FOR REQUIREMENTS.



PARTS LIST		
PART NO.	QTY.	DESCRIPTION
000011	2	12/12'6/3'1.5/S
000533	4	6'-0" POST / W 6X8.5#
VARIOUS	5	12" COMPOSITE BLOCK
015000	1	6'0 POST/8.5/SYT-POST/7:25
015200	1	SFST-ANCHOR G.RAIL 12'-6" W/DECAL
015202	1	SFST-ANGLE STRUT
015203	1	SFST-POST#1 SYTP
015204	1	SFST-ANCHOR PADDLE
015205	1	SFST-POST#0
015208	1	SFST-IMPACT HEAD
HARDWARE KIT 626787		
003240	6	WASHER,FLAT,5/16 W,TY A,G
003245	3	5/16" HEX NUT A563
003340	31	NUT,HX,5/8,G,RAIL
003360	24	5/8"X1.25" GR BOLT
003391	1	5/8"X1.75" HEX BOLT A325
003540	5	5/8"X14" GR BOLT A307
003701	4	3/4" ROUND WASHER F436
003704	2	3/4" HVY HEX NUT A563 DH
003717	2	3/4"X2.5" HEX BOLT A325
003908	1	1" HVY HEX NUT A563 DH
004372	4	WASHER,FLAT,5/8,HARD,TY 1,G
004489	1	5/8"X9" HEX BOLT A325
004902	1	1" ROUND WASHER F436
105285	2	5/16" X 2.5" HEX BOLT GRD 5
105286	1	5/16" X 1.5" HEX BOLT GRD 5
015201	2	SFST-ANCHOR ANGLE
015206	1	SFST-PLATE WASHER
015207	1	SFST-KEEPER PLATE
005852	1	REFL SHT 5X24 Y/B RT

- NOTES:
- REFER TO SoftStop® (12" COMPOSITE BLOCKS) ASSEMBLY MANUAL.
  - PROPER SITE GRADING SHOULD BE ACCOMPLISHED IN ACCORDANCE WITH LOCAL SPECIFYING AGENCY GUIDELINES AND THE AASHTO ROADSIDE DESIGN GUIDE.
  - DO NOT ATTACH THE SoftStop® DIRECTLY TO A RIGID BARRIER.
  - UNDER NO CIRCUMSTANCES SHALL THE GUARDRAIL WITHIN THE SoftStop® BE CURVED.
  - MANUFACTURER SUGGESTS CUSTOMER TO PROVIDE REFLECTORIZATION OF THE TERMINAL.
  - IT IS ACCEPTABLE TO INSTALL THE SoftStop® IMPACT HEAD PARALLEL TO THE GRADE LINE OR WITH AN UPWARD TILT. SEE SoftStop® ASSEMBLY MANUAL FOR SPECIFIC DETAILS.

DRAWN: D. SALSER	DATE: 8/1/2019	MODEL: TL-2 / 12" BLOCK / 12'6"			
CHECKED: P. KRUSE	DATE: 8/6/2019	TRAFFIC DIRECTION: UNIDIRECTIONAL			
UNLESS OTHERWISE NOTED, DIMENSIONS ARE IN MILLIMETERS (INCH). DIMENSIONS ACCORDING TO ASME Y14.5-2018 AND QMS-SE-003 UNLESS OTHERWISE SPECIFIED.					
REVISION DESCRIPTION	ECO	DATE	REV	BY	CHK
BLK WAS 006740,BLK DESC WAS "COMPOSITE BLOCK 12X8X14"		7606	2/26/21	A	RJV BRE
UPDATE BORDER		8262	10/12/22	B	JM KWL
UPDATED 015200 TO HAVE DECAL		8740	3/2/23	C	JMB AJC

SoftStop® TERMINAL, (12" BLOCKS)  
 PLAN, ELEVATION & SECTION  
 MASH TEST LEVEL 2 (TL-2)  
 P/N: 500773

